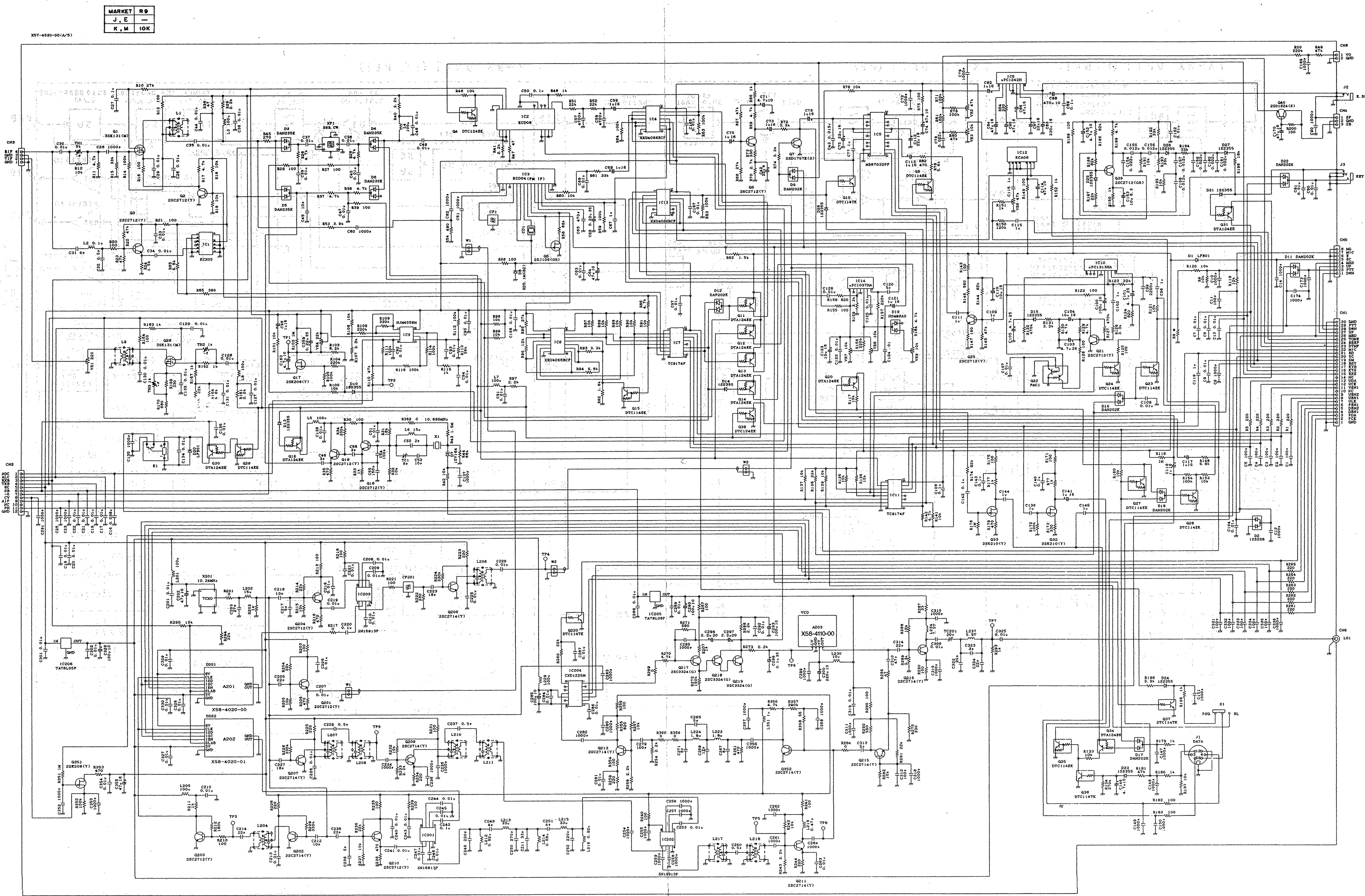
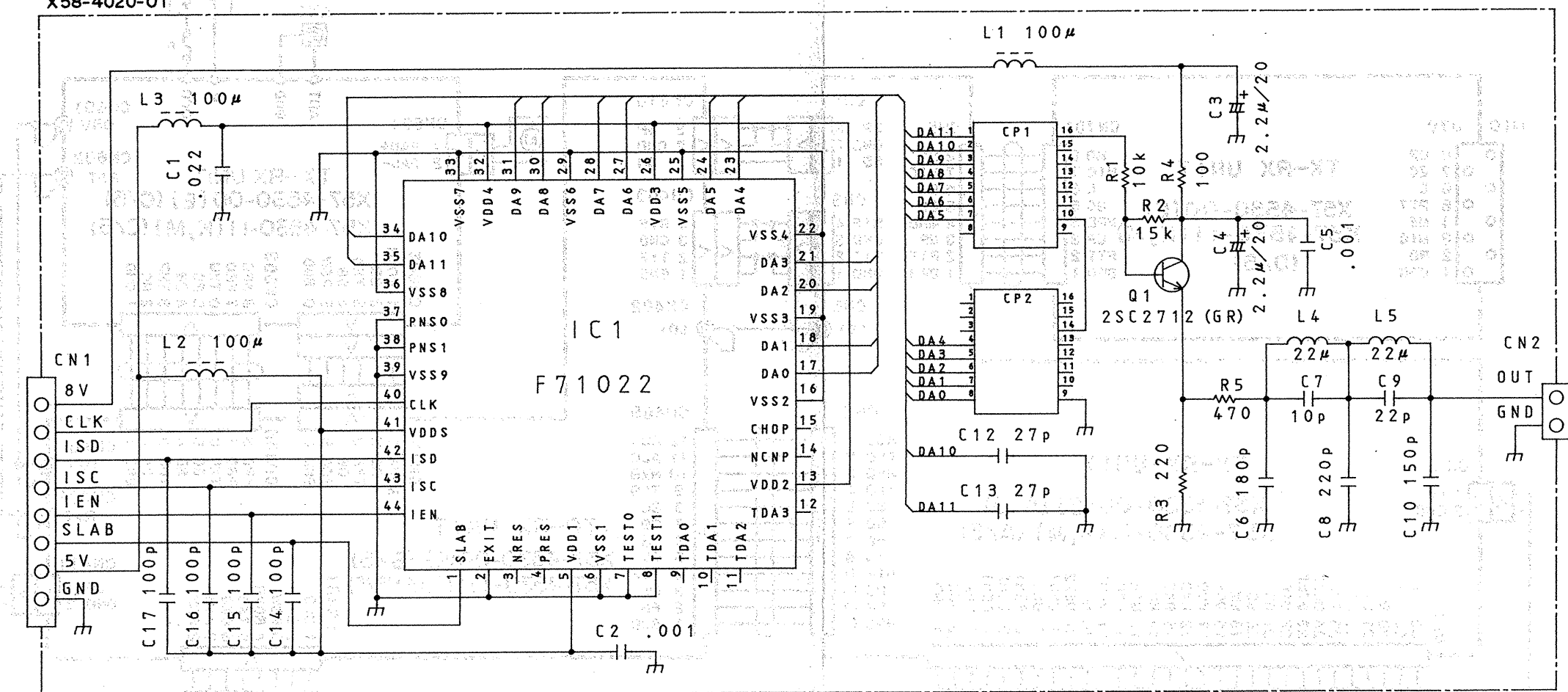


SCHEMATIC DIAGRAM (2/3)



X58-4020-00
X58-4020-01

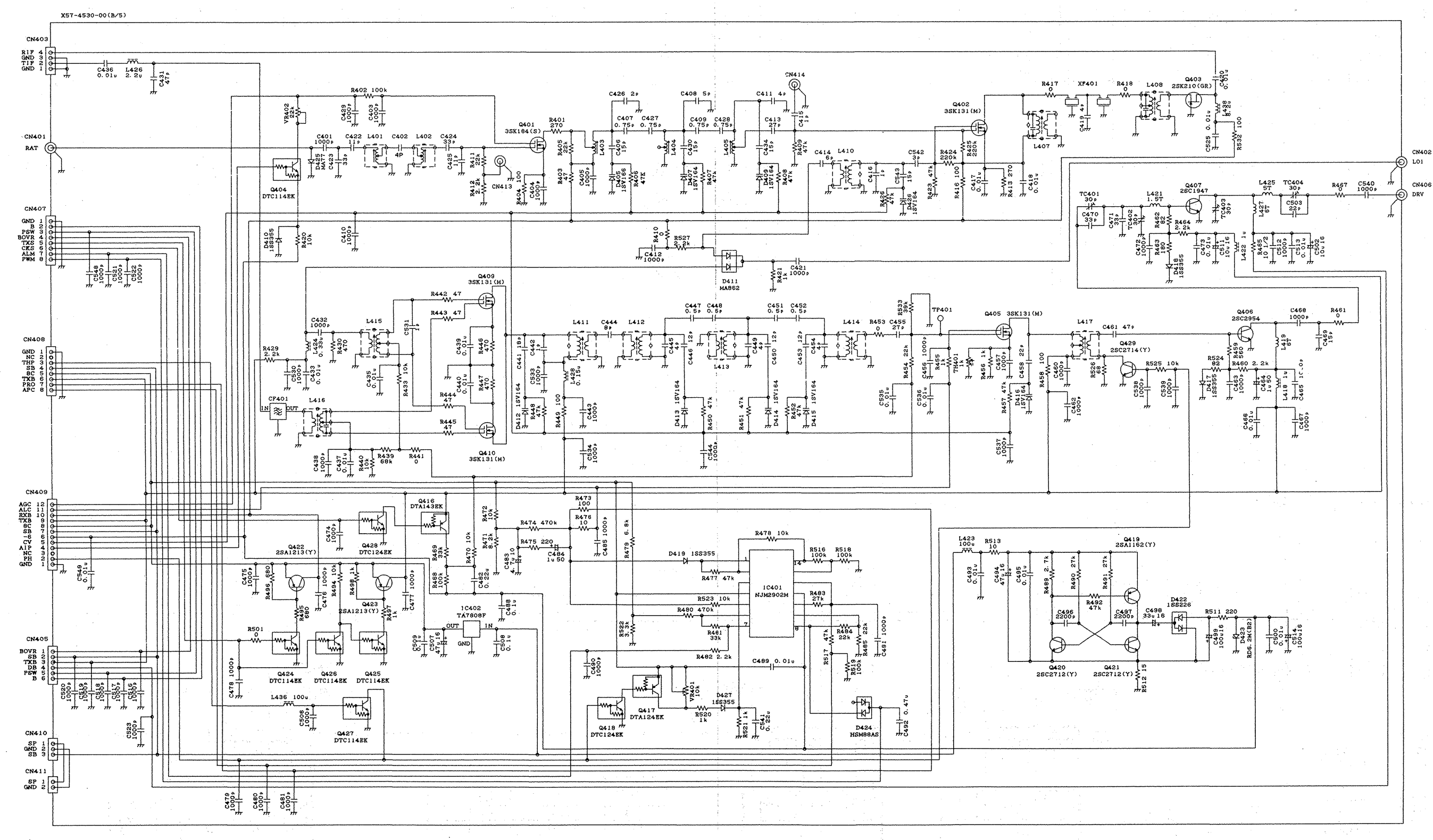
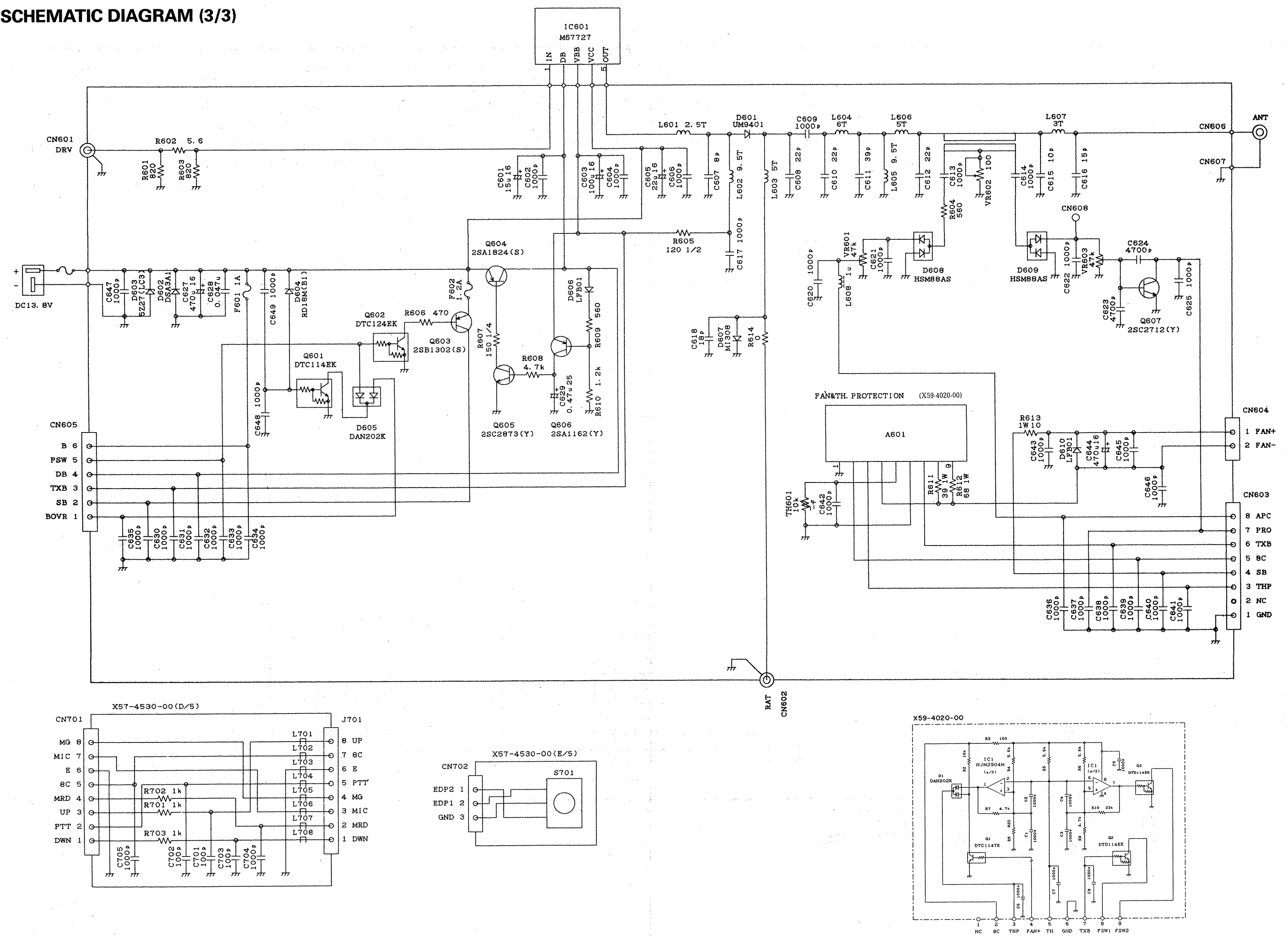


MAR 20 1988

TM-255A/E (2/3)

Note:
Circuits are subject to change without notice due to advancements in technology.

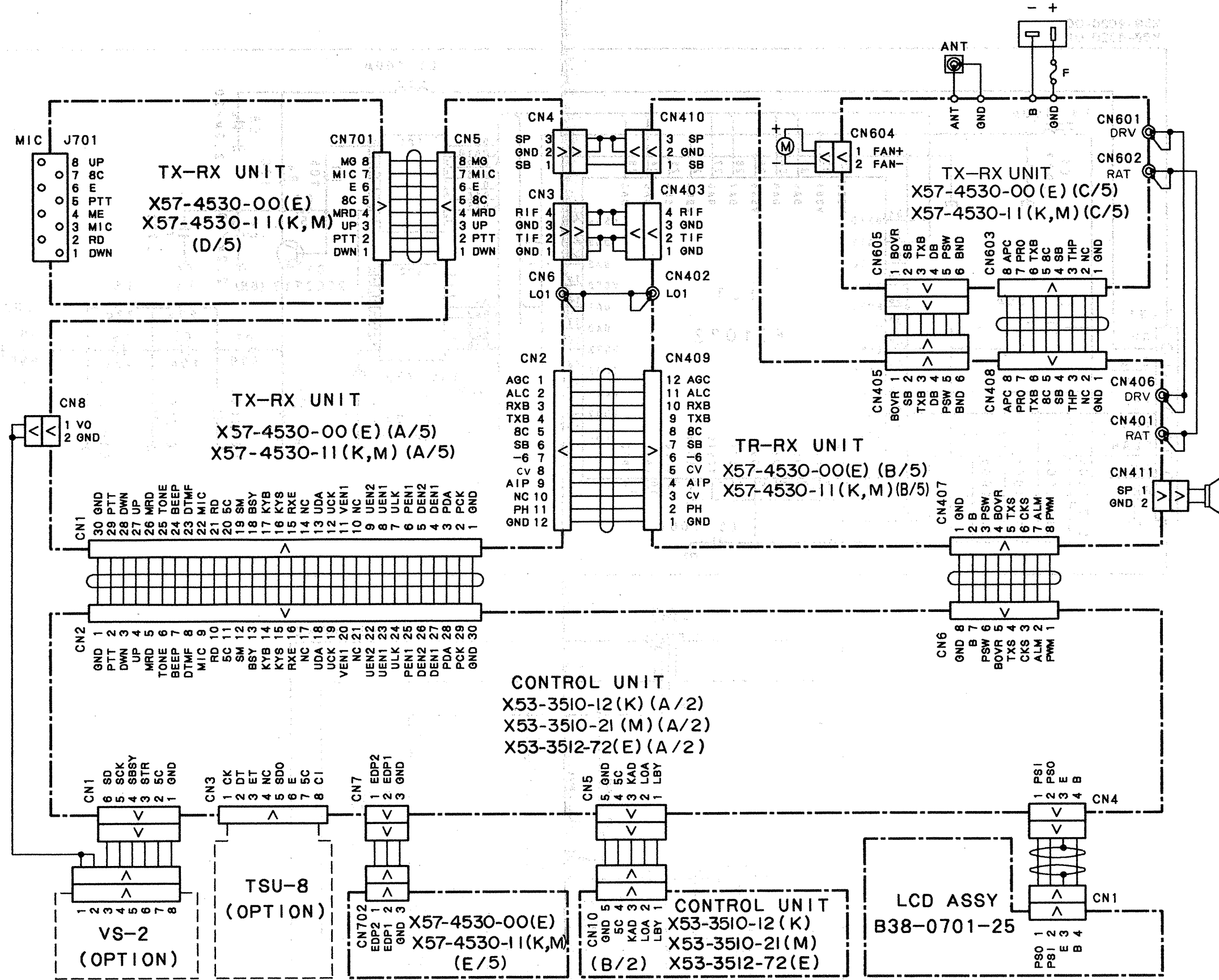
SCHEMATIC DIAGRAM (3/3)



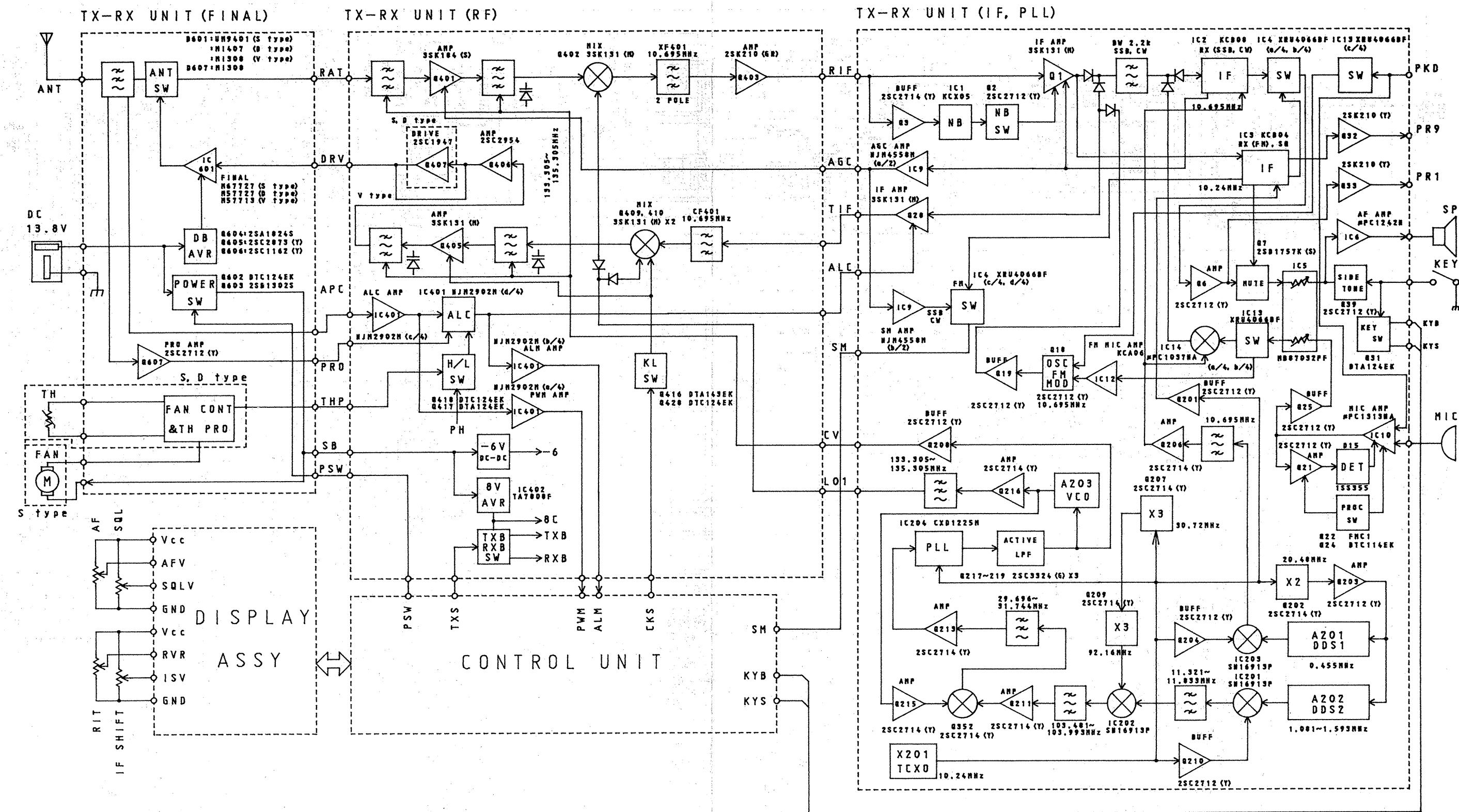
TM-255 A/E (3/3)

Note:
Circuits are subject to change without notice due to advancements in technology.

BLOCK DIAGRAM



TM-255A/E



TM-255A/E

Note: Circuits are subject to change without notice due to advancements in technology.

SCHEMATIC DIAGRAM (1/3)

